

# OWNERS MANUAL

A factory-authorized dealer must perform warranty service. All services will be provided during normal business hours.

Owners responsibilities include providing normal care and maintenance, proof of purchase and the owner shall be responsible for any expense for delivery to and from the authorized dealer.

Warranty is void if: the serial plate is defaced, defect is due to damage, product alteration, connection to an improper electrical supply, act of god, or where product has been abused, or where the product has been improperly installed and not used in accordance with the Owners Manual.

The Portable Furnace Distributors shall not be responsible for any incidental or consequential damages.

## **The Portable Furnace by Arbaco**

**659 Century Street,**

**Winnipeg, MB, R3H 0L9**

**1-877-771-1800**



**[www.portablefurnace.com](http://www.portablefurnace.com)**

**PLEASE READ THIS MANUAL BEFORE OPERATION**

## TABLE OF CONTENTS

Welcome	2
Introduction	3
Benefits	4,5
Care / Maintenance	6
Operation	6
Lamp Inspection	7
Filter Maintenance	7
Performance Suggestions	8
Replacement Parts	9
Warranty information	10

[www.portablefurnace.com](http://www.portablefurnace.com)

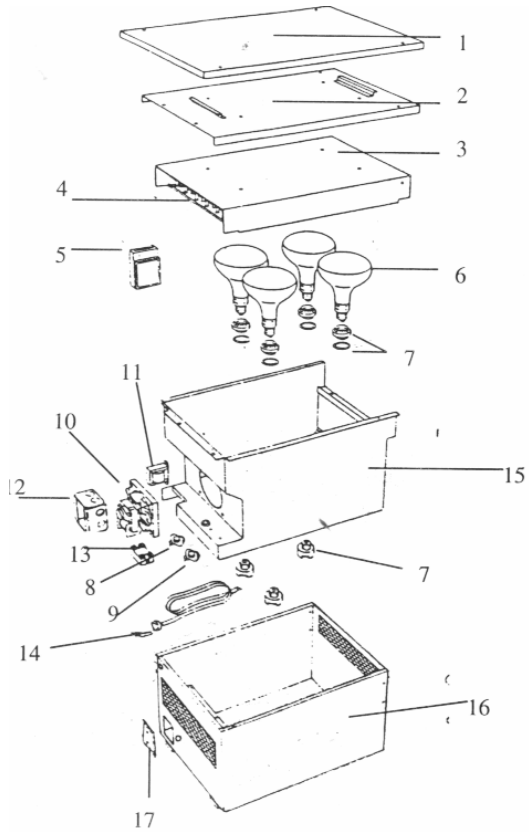
## Three Year limited Warranty

Customer Name	Model #
Address:	Date
	Purchased:
Dealer Name:	Phone #

**Portable Furnace by Arbaco** will repair or replace any defective part of component of any unit for a full three (3) year period.

The obligation of Portable Furnace Distributors Inc., under his warranty is limited to furnishing at Portable Furnace Distributor's option, a new or rebuilt component or part which becomes defective during the warranty period from the date of sale. This warranty does not include the furnishing of any labor required to diagnose the necessity for a replacement of repair or labor to remove or install any such part or parts. Nor does it includes responsibility for any transportation expenses or any damages or loses incurred in transporting the unit to an authorized servicing dealer.

## REPLACEMENT PARTS



Key	Part #	Description	Key	Part #	Description
1	-----	Outer cabinet lid	2	-----	Inner cabinet lid
3	-----	Air chute	4	30000	Finished heat exchanger
5	40000	Thermostat-24 volt	6	48000	375 watt R-40 bulb
7	48100	Ceramic bulb receptacle	8	68015	High limit switch
9	39015	Fan control switch	10	-----	Fan
11	-----	Transformer	12	41015	J-box
13	36000	Relay	14	50100	Power supply cord
15	-----	Inner housing	16	-----	Outer housing
17	42015	J-box cover			

## WELCOME

Congratulations! You have made a choice for comfortable, safe heat. Your purchase of a The Portable Furnace by Arbaco (the most efficient zone heating system) is a quality investment.

The Portable Furnace will provide safe, comfortable and economical heat. The Portable Furnace's unique infrared lamps produce no fumes or deadly monoxides - it is truly clean heat!

All of the ambient air processed through the Portable Furnace pass through a lifetime washable POLYTRON® filter. The Portable Furnace circulates and recycles heated air at a low level thus producing warmth at floor level and even heating.

With proper care and operation, this new Portable Furnace zone heating system will provide a better, more comfortable environment for years to come.

Experience the difference in the Portable Furnace soft heat.

**IT JUST FEELS GOOD!!**

# 1. INTRODUCTION

The Portable Furnace infrared heating system is a revolutionary concept offering more efficient heat at less cost.

The Portable Furnace's impressive air quality and effective heating performance are the result of an innovative system design using absorption of infrared energy by a unique heat exchanger to produce, mix, circulate and recycle heated air at the proper location.

The resulting even distribution minimizes heat loss at walls, windows, and ceilings; saving heat, energy and money! This system heats air in much the same way that the sun heats the earth and its atmosphere by means of safe infrared absorption.

Unlike Kerosene, gas, or wood heating which must have excessive ventilation, (cold air coming into the house) the Portable Furnace permits the structure to be closed for efficient heating with no danger of monoxide poisoning or asphyxiation.

The Portable Furnace heaters are equipped with a lifetime washable static filter system which will remove airborne particles as the air is pulled into the Portable Furnace heating system.

The Portable Furnace is constructed of lifetime galvanized steel, copper and aluminum metals.

1. Remove the filter from the rear of the unit by tilting out.
2. Run warm tap water over the filter, the opposite direction of airflow, until sufficiently clear of dirt and dust. A small amount of mild detergent may be used.
3. Replace the filter to the rear of the unit.

## 7. PERFORMANCE SUGGESTIONS

To assure maximum performance of the Portable Furnace heating system, please note the following recommendations:

1. For maximum efficiency, locate the Portable Furnace on an inside wall, exhausting toward the outside wall.
2. If the Portable Furnace is used in an area with bare concrete floors, position the unit a minimum of three feet above the floor.
3. For maximum efficiency, do not locate the Portable Furnace in an area with a high rate of air filtration.
4. To insure maximum efficiency, a 40% (minimum) relative humidity should be maintained in the heated environment.
5. The Portable Furnace is designed to operate for maximum efficiency up to the 70-72 degree range.
6. When the Portable Furnace is placed in an isolated area, i.e., basement, recreation area, the delivery registers and return air grills of the existing system should be closed in that area if possible.
7. For efficiency, the Portable Furnace is not recommended for areas with exposed, uninsulated concrete or metal walls.

## 5. LAMP INSPECTION

### 5A. To visually inspect the Lamps

Turn the thermostat up until the lamps come on, remove the filter and look through the screen at the rear of the unit. Looking past the fan blades, all four lamps bases should be glowing.

### 5B. To Replace a Lamp \ Lamp

Remove the metal unit from the wood cabinet by removing the retainer located at the base of the wood cabinet. Next, remove the four screws in the lid (figure 1). Remove the inner cabinet (figure 2). (Parts 2,3 & 4: the inner cabinet, air chute, and heat exchanger all function as one piece.)

Remove the defective lamp by unscrewing counter clockwise and replace with a new lamp.

To complete the process, reverse the above steps. For all other parts replacement contact your nearest authorized dealer.

## 6. FILTER MAINTENANCE

### Polytron Static Filter System

The Portable Furnace comes equipped with a washable filter Polytron static filter which is easy to clean. We recommend that the filter be cleaned once a month or as needed. To do this, follow these steps:

## 2. BENEFITS

### 2A. Safety

Extensive testing has verified the safety of the Portable Furnace zone furnace. Safe, clean infrared lamps provide the heat; there is no combustion or fumes.

Due to its safe operating temperature, the Portable Furnace may be placed next to flammable materials with no safety clearance needed. The Portable Furnace heating system has been approved by zero clearance and A-1 INSURANCE rating! This highest safety rating means lowest possible insurance costs.

The Portable Furnace will not burn or create a fire hazard; complete safety is number one for all, including small children.

### 2B. Economy

The unique Portable Furnace process virtually prevents the wasteful air layering of conventional systems. The heat does not accumulate near the ceiling.

By using individual controlled units the Portable Furnace system provides heat only where and when it is needed. Zone heating – Economical Heating.

Portable Furnace zone heating is less expensive per heated square foot and requires no expensive duct installation, therefore, no heat is lost every time the unit runs. The Portable Furnace uses standard 100 volt household current, no special 110 volt wiring or chimney vent.

Portable Furnace has lower operating and maintenance costs. There is only one moving part, the fan motor, and is equipped with quality trouble free controls. There are no burners to rust corrode or adjust; no pilot light to waste energy. Safe, clean, long-life infrared lamps provide the heat energy and are replaced easily and inexpensively (Average lamp life is 5000+ hours or approximately 3-5 years), The Portable Furnace is constructed of lifetime metals, copper, galvanized steel and aluminum

## **2C. Comfort**

Portable Furnace provides even heat distribution and warmer floors. Portable Furnace thermostatically controls, circulates and recycles heated air at the floor for maximum use and comfort. The floor to ceiling temperature differential is minor.

Portable Furnace zone heating does not remove humidity from the air, it actually helps to maintain humidity levels. Water does not readily condense on windows as with conventional systems. Even heating and humidity provide more comfort at lower heat settings with less static electricity.

As the Portable Furnace operates, you will notice that its heating ability does not depend on a high-speed flow of air. Instead, its gentle airflow promotes more effective heat mixing action and air stability at the floor. Soft heat.

The Portable Furnace does not burn, dry out or otherwise pollute the air with impurities. This protects the humidity level and air quality important to health and breathing comfort.

## **2D. Clean and Convenient**

Portable Furnace has no messy tanks to fill, wicks to clean, wood to hassle, ashes to carry and leaves no soot film on walls and drapery. The Portable Furnace is convenient to use, just plug it in to any 100-volt receptacle.

# **3. CARE / MAINTENANCE**

## **Cabinet Care**

To maintain the furniture quality cabinet use any commercial dusting or polishing product.

## **Filter Care**

See filter maintenance in Section 6.

# **4. OPERATION**

Plug the power cord into any 110 volt 15 amp receptacle. Turn power switch (located in the rear of the unit) to the "On" position and set the thermostat to the desired temperature. The four infrared heating lamps will come on. In about one minute the fan will come on delivering heat.